



Care and Use Manual for D9 9mm Firearm Suppressor

LIMITED LIFETIME WARRANTY

Acadian Armament, LLC warrants to the initial retail purchaser that products manufactured by, or at the direction of, Acadian Armament (Acadian Armament products) and purchased from authorized Acadian Armament dealers are free from defects in material and workmanship. This warranty covers, and is limited to, service, repair and/or replacement, at our sole discretion, of Acadian Armament products. This warranty is unlimited in duration for the initial retail purchaser.

This express limited lifetime warranty is the **ONLY** warranty and no other express or implied warranties are otherwise provided. **ACADIAN ARMAMENT PRODUCTS ARE SOLD "AS IS" AND HAVE NO WARRANTY OF MERCHANTABILITY OR FITNESS FOR PARTICULAR PURPOSE.**

LIMITATIONS:

This warranty does not cover damage to firearms, devices or other products with which Acadian Armament products are used. This warranty does not cover damage to any Acadian Armament product due to bullet strike, normal wear and tear; careless, negligent or abusive acts, whether those acts are deliberate or accidental in nature; user's failure to follow care, use and/or safe handling instructions; unauthorized adjustments or modifications, misuse, or any illegal activity or possession; the use of reloaded, defective, inappropriate, hand loaded or non-SAAMI/NATO specification ammunition; and/or the use of any Acadian Armament product outside of the specified restrictions and limitations for that product.

MANUFACTURER'S DISCLAIMER:

ACADIAN ARMAMENT ASSUMES NO RESPONSIBILITY, AND SHALL HAVE NO LIABILITY, FOR INCIDENTAL OR CONSEQUENTIAL DAMAGES. FURTHER, ACADIAN ARMAMENT ASSUMES NO RESPONSIBILITY FOR PERSONAL INJURY, PROPERTY DAMAGE, OR ECONOMIC LOSS. THIS DISCLAIMER EXTENDS TO DAMAGES RESULTING FROM ANY AND ALL ACTS IDENTIFIED IN THE "LIMITATIONS" SECTION ABOVE.

****NOTE**** This Limited Lifetime Warranty, including the Limitations and Manufacturer's Disclaimer, is subject to all applicable laws and as such may grant the purchaser additional rights as well as limit the terms of this warranty.

WARRANTY REPAIRS:

To initiate a repair order, the owner should contact the Acadian Armament dealer from which the product was purchased as many issues can be handled without having to return a product.

A determination as to whether a damaged product is covered by this warranty, and whether service, repair and/or replacement of a product is required, is solely at the discretion of Acadian Armament. Shipping and insurance costs to the manufacturer are the responsibility of the product owner. Should it be determined that a damaged product is covered by this warranty Acadian Armament will cover the cost of service, repair, and/or replacement as well as any reasonable shipping and insurance costs to return the product to the owner.

If for any reason a damaged product is not covered by this warranty, Acadian Armament will service, repair or replace said product for a fair and reasonable price.



Acadian Armament

MADE IN THE USA

©2020 Acadian Armament LLC. All rights reserved.

SECTION 1 - PRECAUTIONS

Read and understand all the following precautions before installing and using this silencer.

WARNING: This silencer is intended for use on devices classified as firearms or dangerous weapons by the Bureau of Alcohol, Tobacco, Firearms and Explosives. The use of such weapons is potentially lethal!

THE USE OF THIS SILENCER (aka SUPPRESSOR or MUFFLER) MAY GIVE THE USER OR OBSERVER THE IMPRESSION OF REDUCED DANGER OR LETHALITY.

THE USE OF THIS SILENCER DOES NOT REDUCE DANGER OR LETHALITY

CAUTION: Carefully read this Care and Use manual which gives basic instruction on the proper installation, use and maintenance of this silencer. It is the user's responsibility to become familiar with the proper use, handling and function of this silencer and the weapon upon which it is installed PRIOR TO USE.

NOTICE: Acadian Armament, LLC shall not be responsible for injury, death, or damage to property resulting from either intentional or accidental use or from its function when used for purposes or subjected to treatment for which it was not designed. Acadian Armament will not honor claims involving this silencer which result from careless or improper handling, unauthorized adjustments, barrel mount adapters, modifications or parts replacement, corrosion, use of the wrong caliber ammunition, use of improperly manufactured ammunition or any combination thereof. Acadian Armament will only honor claims made by the original owner of this silencer.

CONDITION: This silencer was carefully inspected before packaging. Acadian Armament cannot control handling after it leaves the factory so examine the silencer carefully at the time of purchase and before use. Your dealer will be pleased to assist you in making this examination at the time of purchase.

Caliber	Mount	Weight	Material	Dimensions
9mm	MP5 3-lug	17 oz	17-4 HH1150 SS SBN/QPQ	6.7"L x 1.30"Ø

SECTION 2 – GETTING TO KNOW YOUR SILENCER

The D9 is a monolithic core suppressor designed for use with 9mm centerfire ammunition in semi-auto and full-auto rates-of-fire.

The 3-lug mount base is compatible with MP5 and similar mounts. Silencers will accumulate vaporized metal and propellant deposits. D9 is designed to be completely disassembled for inspection, cleaning and/or repair.



Figure 1: Tools recommended for disassembly

SECTION 2 – GETTING TO KNOW YOUR SILENCER (cont...)

Tools recommended for disassembly are hand tools common to firearm maintenance; 1-10mm hex wrench, and 2-AR buffer tube castle-nut wrenches.

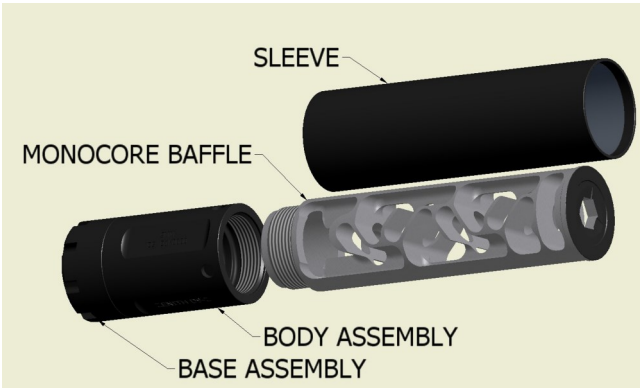


Figure 2a: D9 Core Components

(NOTE: Your D9 will be uniformly black in color. Images in this manual are colored for clarity.)

The components of the **D9** are the **Base Assembly**, **Body Assembly**, **Monocore** baffle and **Sleeve**.

Monocore Baffle Core and Sleeve—The **Baffle** and **Sleeve** can be removed from the **Body** and **Base** assemblies for inspection and cleaning.

Base Assembly—The **Base** Assembly comprises the components necessary to selectively attach the suppressor to 3-lug hosts.

Body Assembly—The **Body** Assembly comprises the **Blast Chamber** and **Body**. The **Body** is permanently marked with identifying graphics and regulatory compliance information.

BASE ASSEMBLY

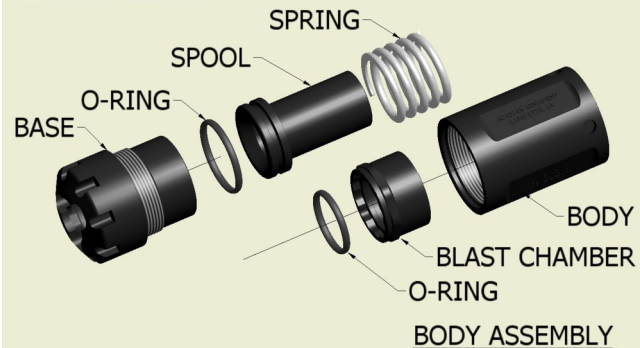


Figure 2b: D9 Base and Body Assemblies

The **Body** receives the **Base Assembly** and the **Monocore**. The **Sleeve** is impinged at an internal flange between the **Body** and the **Monocore**. The **Blast Chamber** is impinged between the **Base Assembly** and the **Monocore** within the **Body**.

When assembled, the blast event is managed within the volume formed by the **Base Assembly**, **Blast Chamber**, **Monocore Baffle**, and the **Sleeve**.

SECTION 3 – MAINTAINING YOUR SILENCER

CAUTION: Ensure the host weapon is unloaded and made safe before attempting to service, install or remove any silencer.

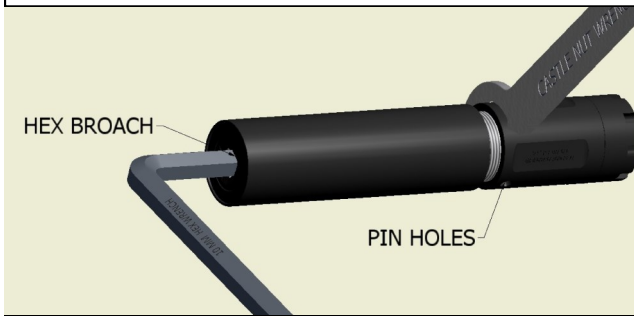


Figure 3a: Disassembling the D9—Core and Sleeve

The more often you clean D9, the easier it will be to keep clean.

Wetting with firearm cleaning solvents or soap & water solutions before disassembly can soften deposits and reduce hazardous dust dispersion.

Loosen the **Core** and **Sleeve** from the **Body** using a 10mm hex wrench in the broach at the face of the **D9**. If necessary, hold the **Body** using a buffer tube castle nut wrench in the holes on the perimeter.

To loosen built up deposits between the **Sleeve** and the **Core**, grasp the **Sleeve** while rotating the **Baffle Core** using the hex wrench.

The **Baffle Core** and **Sleeve** can be cleaned with soap and water or commercially available solvent cleaners. Deposited lead can be mechanically removed from the internal components. The **D9** can be cleaned using immersion ultra-sonic cleaners.

Do not sand-blast or use abrasives to clean your **D9**. Doing so may removed the hardened SBN/QPQ treatment layer.

NOTE: Long exposure to strong acids will damage the SBN/QPQ treatment layer.

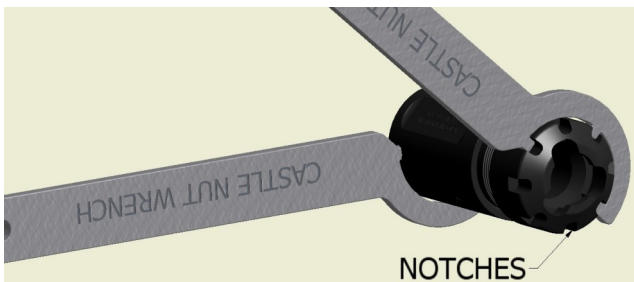


Figure 3b: Disassembling the D9—Base and Body

Loosen the **Base Assembly** from the **Body** using one buffer tube castle nut wrench on the holes of the **Body** and another on the notches in the **Base**.

SECTION 3 – MAINTAINING YOUR SILENCER (cont...)

Before reassembling the **D9**, inspect for damage, wear, cracks, baffle strikes, etc. If you have any doubt about the serviceability of your **D9**, contact your **Acadian Armament Dealer**.

Parts of your **D9** are made from stainless steel with a hardened SBN/QPQ treatment layer. This treatment provides part lubricity, enhances durability and prevents flame cutting. To prevent damage to this layer and to facilitate disassembly, apply silicone/PTFE compound to all contact surfaces.

With the **Base Assembly** removed, inspect the **O-rings** for damage or wear. Contact **Acadian Armament** or your local dealer for replacements if necessary.

Assemble the **D9** components using 10-15 ft-lbs torque.

NOTE: A moderate application of silicon/PTFE compound on all internal surfaces will reduce accumulated deposits and facilitate disassembly. Device will produce smoke when first used after application.

SECTION 4 – USING YOUR SILENCER

When installing the **D9**, check to ensure the lugs are engaged with the mount by attempting to rotate in both directions.

The threads on the **D9** are designed to tighten as the components heat up. Allow to cool before attempting to disassemble.

Just like any other accessory, occasionally check to insure all connections are secure. If it is dropped or otherwise damaged, inspect for functionality before proceeding.

CAUTION: Ensure the host weapon is unloaded and made safe before attempting to service, install or remove any silencer.

CAUTION: Suppressors can get extremely hot during use. Do not touch or place near/on heat-sensitive or flammable materials.

CAUTION: Ensure the hex wrench is removed from the hex broach before using the host weapon. Failure to do so may result in catastrophic failure resulting in damage to the silencer and the host weapon and can cause injury or death.

CONTACT INFORMATION

Mail
Acadian Armament, LLC

Administrative Offices
1005 La Neuville Road
Lafayette, LA 70508
337-991-0940

Website & Email
AcadianArmament.com
PredatorSilencers.com
info@acadianarmament.com

MADE IN THE USA

©2020 Acadian Armament LLC. All rights reserved.